

**LEYMAN**  
**LIFT GATES**  
 DELIVERS DEPENDABILITY

**FXD** Fold-A-Vador  
**Extreme Duty**  
 Rail Gate



**FOLD-A-VADOR**  
**EXTREME DUTY**  
 RAIL GATE

**LIFTING CAPACITY** 4,500 to 6,800 lbs.

- Heaviest Load Capacity in the Industry



FXD STANDARD FEATURES	BENEFITS
True Level Ride Lift Gate	Provides a Safer Working Environment for Driver and Freight
Dual Power Unit	Designed to Reduce Road Calls
Power Down on Demand	Offers Options to Lower Platform
Walk Around Remote Control	Added Flexibility of Operation
Hose Burst Valves	A Safety Feature that Prevents Sudden Platform Fall
Marine Potted Switches	Watertight Switches – Reduces Electrical Failure
Static Wire Position Within Gate Mast	Stationary Wire Reduces Wire Breakage and Electrical Failure
Lower Hydraulic Pressures	Reduces Wear on Hydraulic System
Circuit Breaker for All Power Kit Options	Protects from Electrical Circuit Damage Caused by Current Overload
Safety Cut-Off Switch	Quick Power Shut-Off Reduces Injuries
Steel Rollers with Greasable Anti-Friction Bearings	Extends Roller Life
L.E.D. Lights (Stop, Turn, and Tail Lights)	More Visibility Using Less Energy
Power Close Platform	Ease of Operation
Smooth Outer Rails with Reinforced Plates	For Added Strength and Reliability
Maintenance Minder2	Measures and Records Lift Gate Operating Data
Pressure Compensated Flow Control	Steady Hydraulic Pressure for Smooth Operation

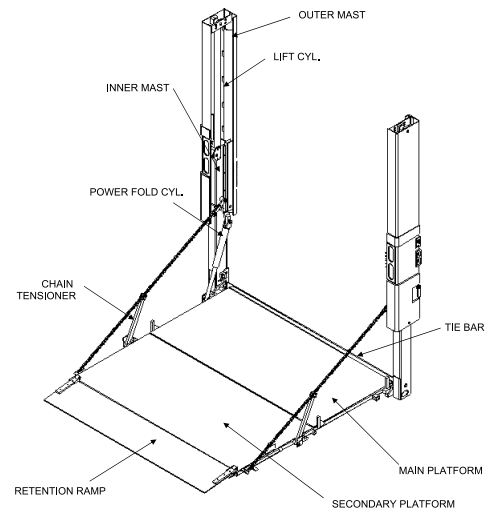
# LEYMAN

## LIFT GATES

DELIVERS DEPENDABILITY

# FXD

## Fold-A-Vador Extreme Duty Rail Gate



### FXD Technical Specs

Model Number	Lifting Capacity	Platform Size	Main Platform	Secondary Platform	Ramp	Approx. Weight (Steel Platform)	Approx. Weight (Aluminum Platform)
FXD 4500	4,500 lbs.	86" W x 60" D	36" D	24" D	12" Fixed	FXD 4500 1,680 lbs.	FXD 4500AL 1,460 lbs.
		86" W x 72" D	42" D	30" D	12" Fixed	FXD 4500 1,750 lbs.	FXD 4500AL 1,500 lbs.
		86" W x 72" D	36" D	36" D	None	FXD 4500 1,850 lbs.	FXD 4500AL 1,500 lbs.
		86" W x 84" D	42" D	42" D	None	FXD 4500 1,850 lbs.	FXD 4500AL 1,525 lbs.
FXD 5500	5,500 lbs.	86" W x 60" D	36" D	24" D	12" Fixed	FXD 5500 1,850 lbs.	FXD 5500AL 1,550 lbs.
		86" W x 72" D	42" D	30" D	12" Fixed	FXD 5500 1,900 lbs.	FXD 5500AL 1,575 lbs.
		86" W x 72" D	36" D	36" D	None	FXD 5500 1,900 lbs.	FXD 5500AL 1,575 lbs.
		86" W x 84" D	42" D	42" D	None	FXD 5500 2,000 lbs.	FXD 5500AL 1,600 lbs.
FXD 6800	6,800 lbs.	86" W x 60" D	36" D	24" D	12" Fixed	FXD 6800 1,900 lbs.	FXD 6800AL 1,600 lbs.
		86" W x 72" D	42" D	30" D	12" Fixed	FXD 6800 2,120 lbs.	FXD 6800AL 1,770 lbs.
		86" W x 72" D	36" D	36" D	None	FXD 6800 2,120 lbs.	FXD 6800AL 1,770 lbs.
		86" W x 84" D	42" D	42" D	None	FXD 6800 2,250 lbs.	FXD 6800AL 1,825 lbs.

AVAILABLE OPTIONS	
OPTION #	OPTION DESCRIPTION
96	96" Wide Vehicle Kit with 80" Wide Platform
104	Header Kit (Dock Seal)
104-HLK	Header Light Kit
108	Foot Operated Ramp Cart Stop (Fixed Taper Only)
113	16" Aluminum Retention Ramp
113-SPL	16" Split Aluminum Retention Ramp (Steel Platform Only)
131-3PL	Plastic Battery Box w/Hold Down Straps (Holds 3 Batteries) and Circuit Breaker
151	Bolt-On Installation Kit
151-SS	Bolt-On Installation Kit – Stainless Steel
245	Hose Channel Kit
258	Gravity (Automatic) Cart Stop (Available on Steel Platform Only)
260	Clear Back Up Lights Kit for FXD
272FXD	Power Unit/Short Frame Option (Use for Limited Install Space). When Batteries are Needed Use With <b>132-3PL</b> – Plastic Battery Box w/Hold Down Straps (Holds 3 Batteries)

AVAILABLE OPTIONS (CONTINUED)	
OPTION #	OPTION DESCRIPTION
AL	Aluminum Platform
GV	Galvanized (Full Gate)
GVP	Galvanized (Platform Only)
P46622	AGM Battery

POWER KITS	
OPTION #	OPTION DESCRIPTION
123-NG	Power Kit: 30' "2" Gauge Cable – NO Trailer Plug
136-NG	Power Kit: 35' "2" Gauge Cable – NO Trailer Plug
257-NG-30	Power Kit: 30' "2" Gauge Cable – Dual Pole with Combo Box (Dual/Single Pole Receptacles)
257-NG-45	Power Kit: 45' "2" Gauge Cable – Dual Pole with Combo Box (Dual/Single Pole Receptacles)
257-NG-60	Power Kit: 60' "2" Gauge Cable – Dual Pole with Combo Box (Dual/Single Pole Receptacles)