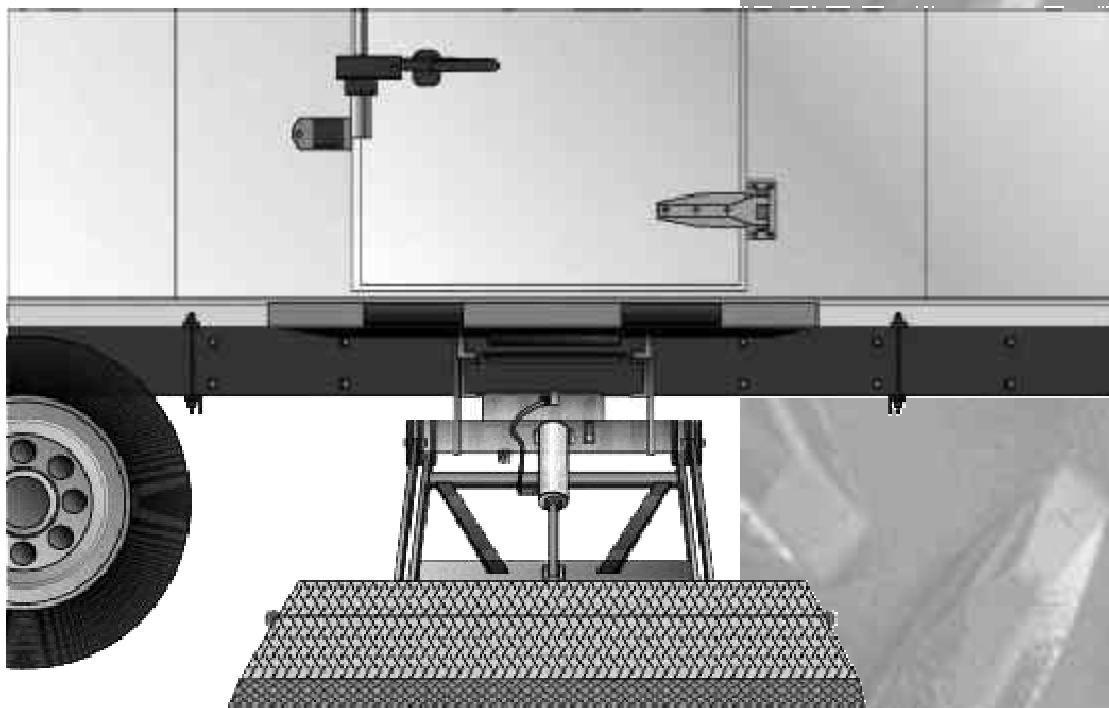


**Model TSG**  
**TSG 1850LR**  
**TSG 2500LR**

**HIDE-A-WAY®**  
**Truck Side Door Lift Gate**  
**Level Ride Platform**



# HIDE-A-WAY®

## Model TSG

### Standard Features

- Greaseless bushings
- Manual transit lock
- Chrome plated pins
- Spring assisted opening and closing
- Marine toggle switch operation
- Power pack enclosure - holds pump and motor
- Power line 27' "2" gauge
- Level ride platform
- Gate shipped completely assembled

### Optional Features

- Safety cut-off switch
- Circuit breaker for pump motor
- Drivers step
- 12" cart stops retention ramp (steel)

### Standard Specifications

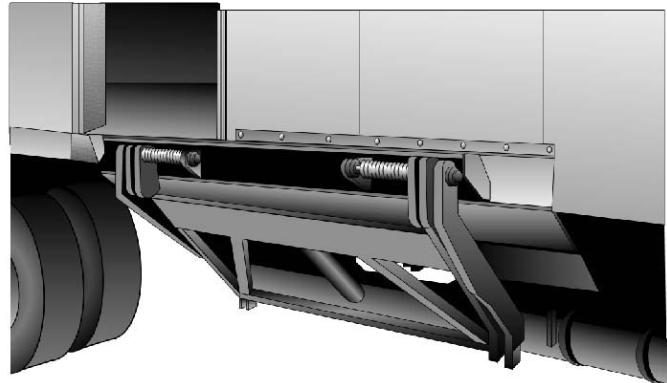
**Capacity:** 1850 and 2500 lbs.

**Weight:** 725 - 780 lbs.  
(approx.)

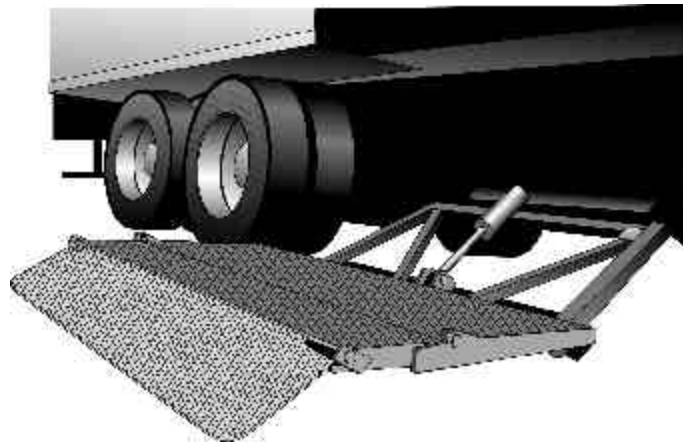
#### Platform

**Size:** 72" wide x 34" deep + butt-end  
72" wide x 34" deep + 8" tapered  
54" wide x 34" deep + butt-end  
54" wide x 34" deep + 8" tapered

**Floor**



### Over the Road Position



### Retention Ramp Down Position

**LEYMAN**  **LIFT GATES®**

10900 Kenwood Road • Cincinnati, OH 45242

Phone: 513.891.6210 • Fax: 513.891.4901

[www.leymanlift.com](http://www.leymanlift.com)

[sales@leymanlift.com](mailto:sales@leymanlift.com)

LML00048-3/26/10