

LEYMAN LIFT GATES[®]

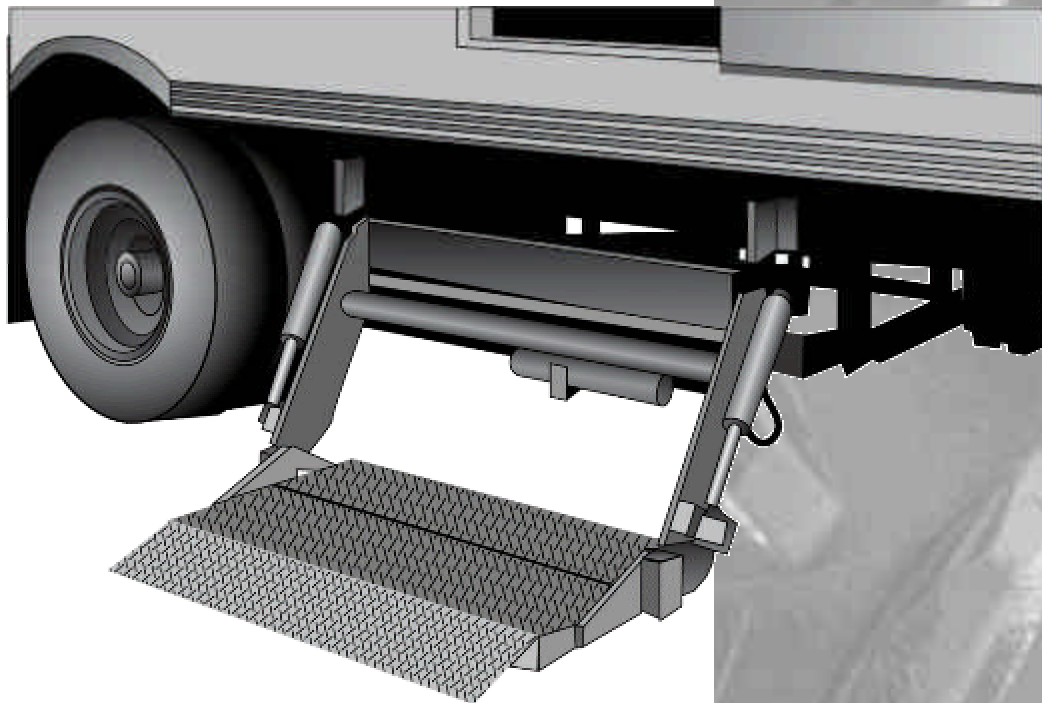
Model STG

STG 2100

STG 2101

HIDE-A-WAY[®]

**Straight Truck Side
Door Lift Gate**



LEYMAN  LIFT GATES[®]

10900 Kenwood Road • Cincinnati, OH 45242

Phone: 513.891.6210 • Fax: 513.891.4901

www.leymanlift.com

sales@leymanlift.com

HIDE-A-WAY®

Model STG

Standard Features

- Maintenance Minder²® power unit
- Automatic safety lock in operating position
- Lifting arms are mounted to the center of the platform for a level ride platform
- Two hydraulic cylinders perform the lifting
- Power in and out
- 12 volt D.C. power supply
- Marine toggle switches
- Bronze bushings and grease fittings
- Power pack enclosure - holds pump, motor, and has room for (2) batteries
- Stainless steel chain for power in and out

Optional Features

- Power line "0" gauge 15' long
- Circuit breaker for pump motor
- Emergency hand pump
- Hand held remote control
- Mud flap

Standard Specifications

Capacity: 2000 lbs.

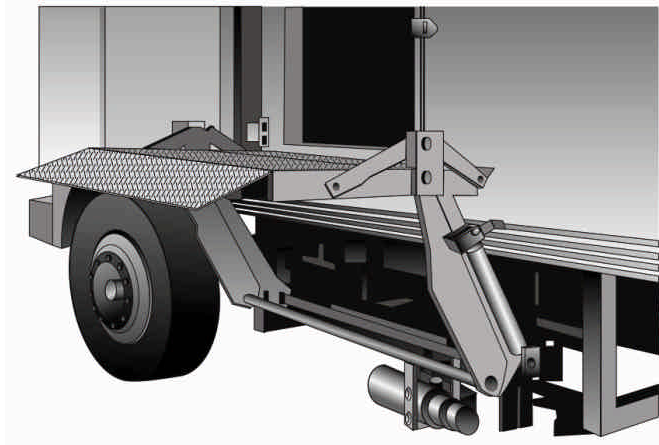
Weight: 800 - 850 lbs.
(approx.)

Platform

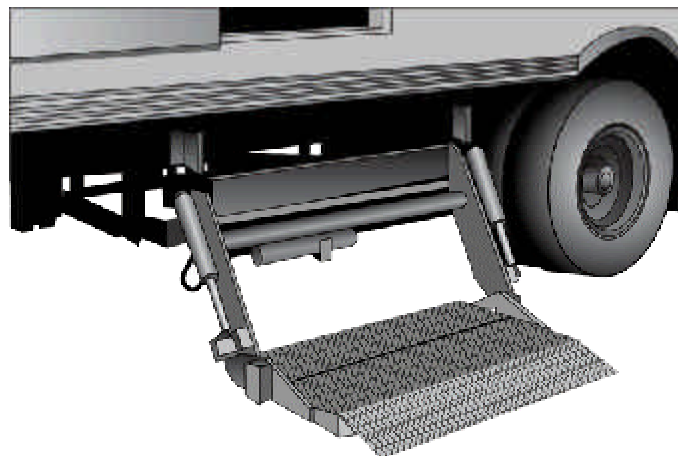
Size: 48" wide x 28" deep + 6" taper
72" wide x 28" deep + 9" taper

Floor

Heights: 39" - 56"



Floor Level Position



Operating Position

LEYMAN  **LIFT GATES®**

10900 Kenwood Road • Cincinnati, OH 45242

Phone: 513.891.6210 • Fax: 513.891.4901

www.leymanlift.com

sales@leymanlift.com

LML00035-8/26/10