

LEYMAN LIFT GATES®

Patents Pending

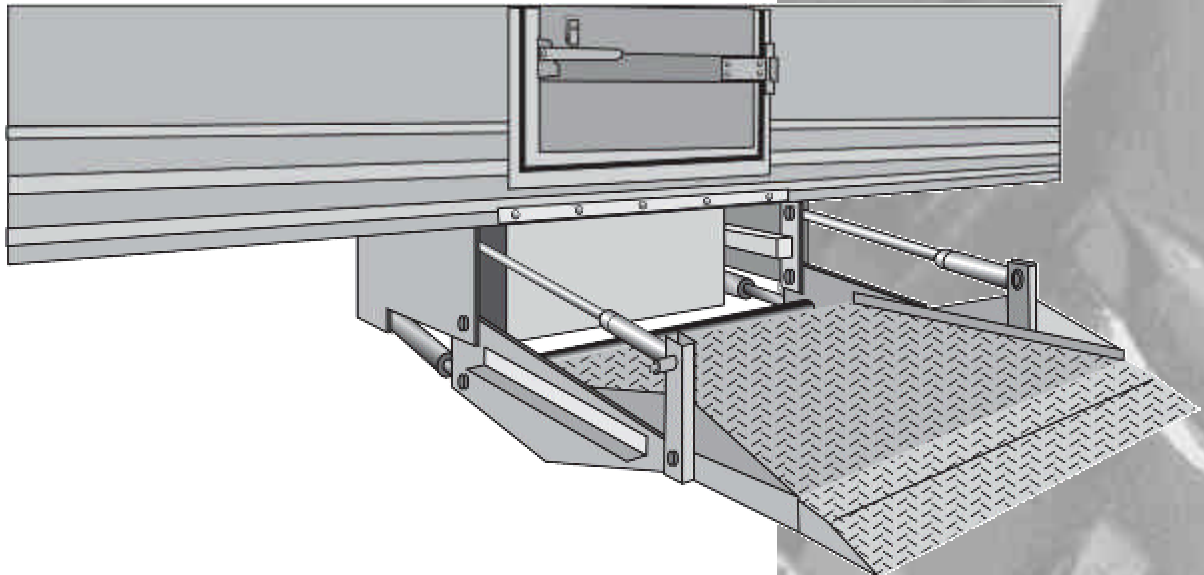
Model LPS

LPS 3500

LPS 4500

HIDE-A-WAY®

Trailer Side Door Lift Gate
For Delivery with Pallets or Carts



Featuring



LEYMAN  **LIFT GATES®**

10900 Kenwood Road • Cincinnati, OH 45242

Phone: 513.891.6210 • Fax: 513.891.4901

www.leymanlift.com

sales@leymanlift.com

HIDE-A-WAY®

Model LPS

Standard Features

- 12 volt D.C. power supply
- Marine Potted toggle switch operation
- Two hydraulic cylinders perform the lifting
- Power pack enclosure - holds pump, motor (rear access), and has room for (2) batteries
- Power in and out
- Greaseless bushings
- Lifting arms are mounted near center of the platform
- Adjustable out/up stops
- Adjustable guides (side to side and in and out functions)
- All bearing shafts/pivot pins are chrome plated steel
- Automatic over the road lock
- Maintenance Minder²® Power Unit
- Leyman Extreme Shield® Coating

Optional Features

- Emergency hand pump
- Bolt on kit for aluminum cross members
- Flashing safety lights
- Platform lights
- Cart stops
- Reflective tape kit
- Walkaround push button

Standard Specifications

Capacity: 3500 and 4500 lbs.

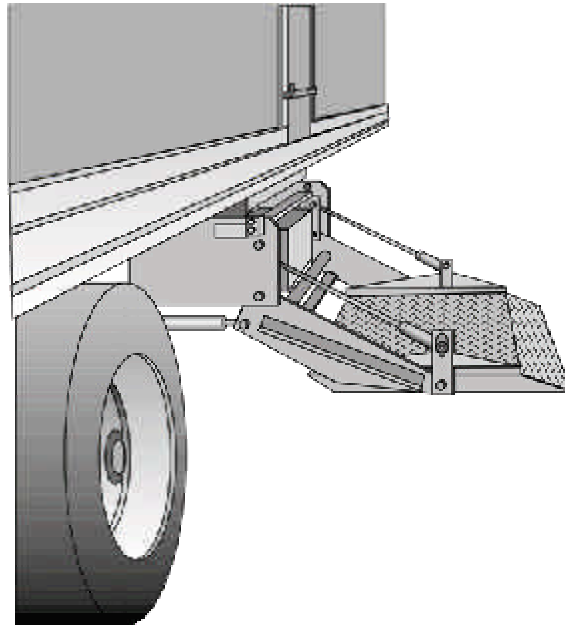
Weight: 1350 - 1650 lbs.

Platform

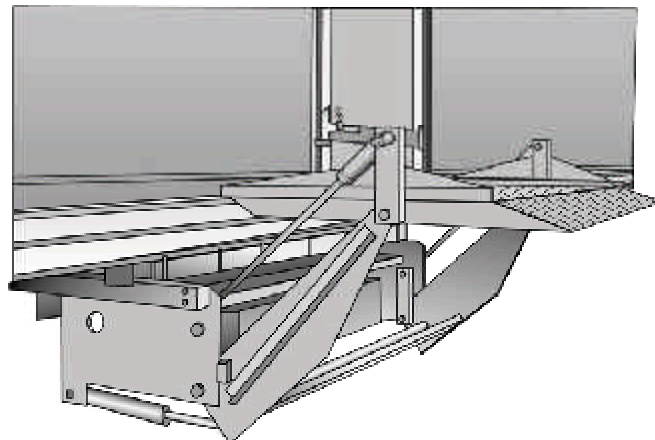
Size: 72" wide x 64" deep + 16" taper
72" wide x 68" deep + 15" retention

Floor

Heights: 48" - 58"



Operating Position



Floor Level Position

LEYMAN  **LIFT GATES®**

10900 Kenwood Road • Cincinnati, OH 45242

Phone: 513.891.6210 • Fax: 513.891.4901

www.leymanlift.com

sales@leymanlift.com