

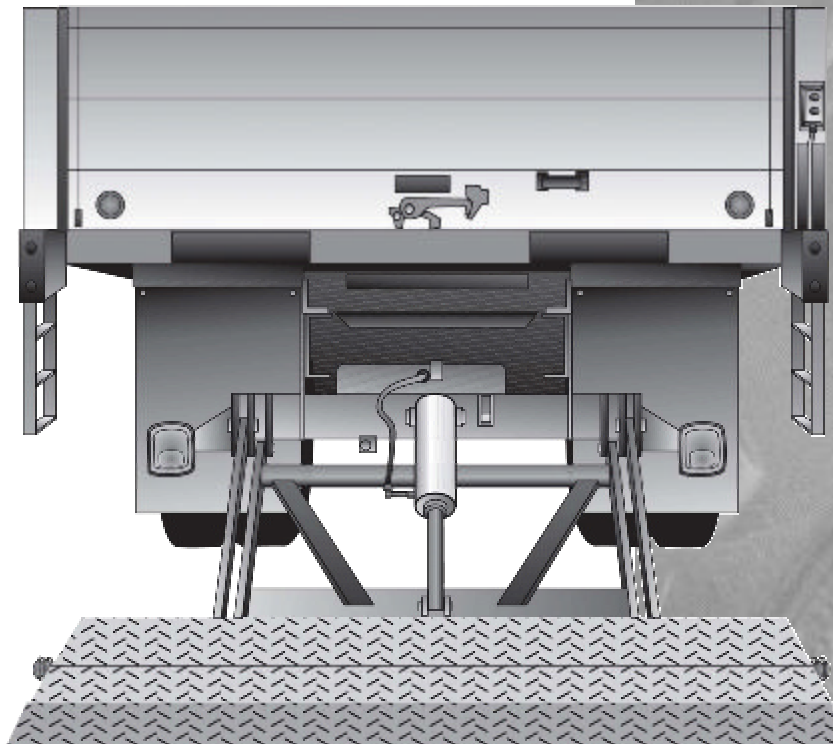
LEYMAN LIFT GATES®

Model LH

LH 1850	LHR 2500
LH 2500	LHR 3500
LH 3000	LLB 1850
LH 3500	LLB 2500

HIDE-A-WAY®

Heavy Duty Tuckunder Style



LEYMAN LIFT GATES®

10900 Kenwood Road • Cincinnati, OH 45242

Phone: 513.891.6210 • Fax: 513.891.4901

www.leymanlift.com

sales@leymanlift.com

Model LH/LHR/LLB

Standard Features

- Greaseless bushings
- Manual transit lock
- Chrome plated pins
- Pressure compensated flow control
- 1/2" steel dock bumpers
- Spring assisted opening and closing
- Low P.S.I. due to larger cylinder surface
- Power pack enclosure holds motor and pump
- Adapter frame will accommodate trailer installations
- Marine toggle switch operation
- Heavy duty platform extension 96"-102" wide vehicle accommodates forklift usage
- Gates ship completely pre-assembled
- Lifting arms 1" solid steel with cross bracing
- Designed for usage with walk ramp
- Power line 35' "2" gauge

Optional Features

- I.C.C. bumper D.O.T. approved
- Quick mount system
- Heavy duty steps
- Safety cut-off switch
- Circuit breaker for pump motor
- Rubber dock bumpers
- Street side toggle switch

Standard Specifications

LH 1850, 2500, 3000, and 3500

Capacity: 1850, 2500, 3000, 3500 lbs.

Platform

Size: 80" wide x 38" deep + 5" taper

Floor

Heights: 42" - 56"

LHR 2500 and 3500

Capacity: 2500 and 3500 lbs.

Platform

Size: 80" wide x 40" deep + 8" retent.

Floor

Heights: 42" - 56"

LLB 1850 and 2500 (Low Floor Applications)

Capacity: 1850 and 2500 lbs.

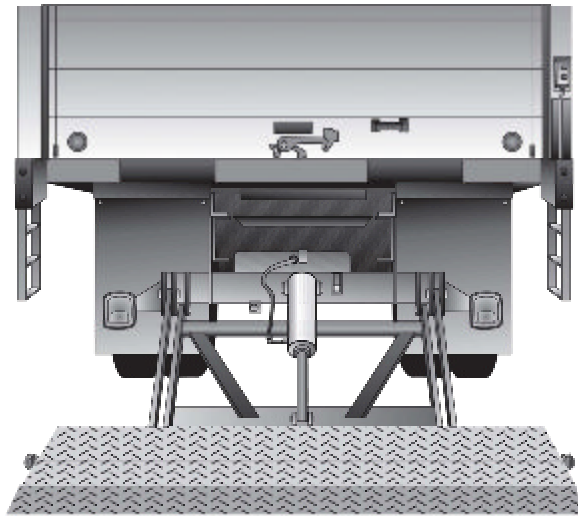
Platform

Size: 80" wide x 29" deep + 7" taper

Floor

Heights: 36" - 56"

HIDE-A-WAY®



Lowered Position



Over the Road Position

LEYMAN  **LIFT GATES®**

10900 Kenwood Road • Cincinnati, OH 45242

Phone: 513.891.6210 • Fax: 513.891.4901

www.leymanlift.com

sales@leymanlift.com

LML00333-6/9/09