

**LEYMAN**  **LIFT  
GATES®**

***Model LVS***

**LVS 3324**

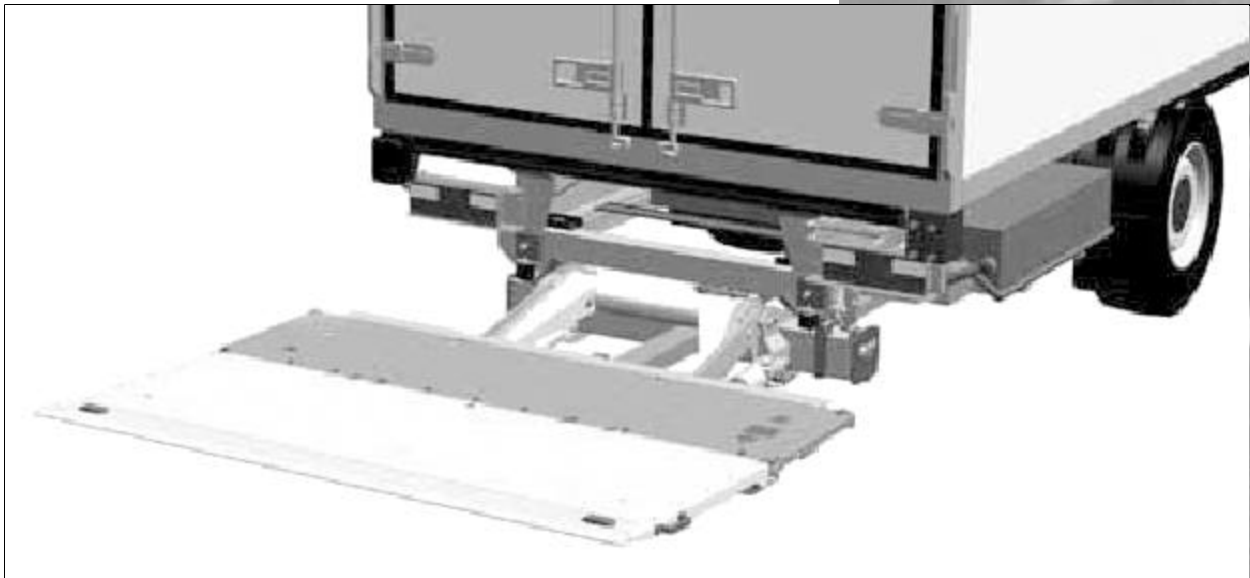
**LVS 4424**

**LVS 5544**

**LVS 6644**

***LEVEL-VADOR®***

**No Dock Interference  
Works with Swing Doors**



**LEYMAN**  **LIFT  
GATES®**

10900 Kenwood Road • Cincinnati, OH 45242

Phone: 513.891.6210 • Fax: 513.891.4901

[www.leymanlift.com](http://www.leymanlift.com)  
[sales@leymanlift.com](mailto:sales@leymanlift.com)

# Model LVS

## Standard Features

- Fixed mounted master control
- Power unit keyed on/off switch
- Aluminum bi-fold platform (5544 & 6644)
- Steel primary/aluminum secondary bi-fold platform (3324, 4424)
- Safety warning decals
- Power pack enclosed
- Automatic hydraulic leveling
- Two (2) foot operated cart stops
- Power in and out
- Power up/gravity down
- Two lifting & two tilting cylinders (5544 & 6644)
- One lift and one tilt cylinder (3324 & 4424)
- Torsion bar assist opening and closing
- Two safety flashing lights
- 40' power line/40' ground line
- Foot controls in platforms

## Optional Features

- Hand rails
- Quick mount system
- Hand held remote with spiral cord
- Battery box

## Standard Specifications

**Capacity:** 3300, 4400 & 6600 lbs.  
**Weight:** 1300 - 1400 lbs. (approx.)

### 2 Cylinder Model Specifications

#### LVS3324

**Platform Size:** Steel primary, aluminum secondary bi-fold  
94" wide x 67" deep

**Floor Height:** 54"

#### LVS4424

**Platform Size:** Steel primary, aluminum secondary bi-fold  
94" wide x 67" deep

**Floor Height:** 57"

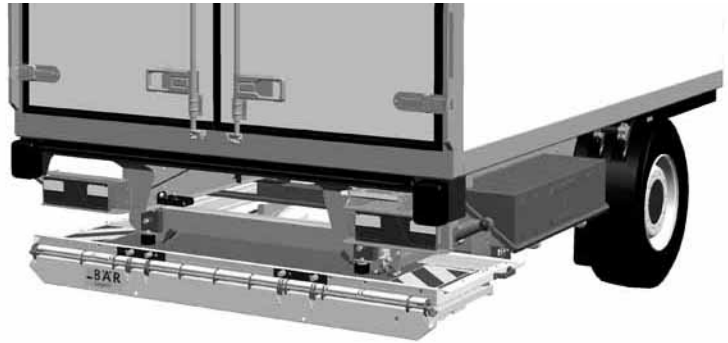
### 4 Cylinder Model Specifications

#### LVS5544 & 6644

**Platform Size:** Aluminum bi-fold  
94" wide x 80" deep

**Floor Height:** 57"

# REAR MOUNTED SLIDER GATE



## Over the Road Position



## Operating Position

**LEYMAN**  **LIFT  
GATES**

10900 Kenwood Road • Cincinnati, OH 45242

Phone: 513.891.6210 • Fax: 513.891.4901

[www.leymanlift.com](http://www.leymanlift.com)

[sales@leymanlift.com](mailto:sales@leymanlift.com)

LML00023-6/11/09