

Model LHLP
LHLP 2500
LHLP 3500

HIDE-A-WAY™
Large Aluminum
Level Ride Platform



Model LHLP

Standard Features

- Pressure compensated flow control
- Toggle switch master control
- 12 volt D.C. power supply
- Chrome plated pins
- Low P.S.I. due to larger piston surface
- Automatic mechanical tilt
- Power down
- Aluminum bi-fold platform
- Level ride platform
- Platform closing assist springs
- Greaseless bushings
- Power unit enclosure
- Thermal switch to cut off motor at high temperature
- Cart stops
- Extension with two steps for 96"/102" wide or threshold insert tube

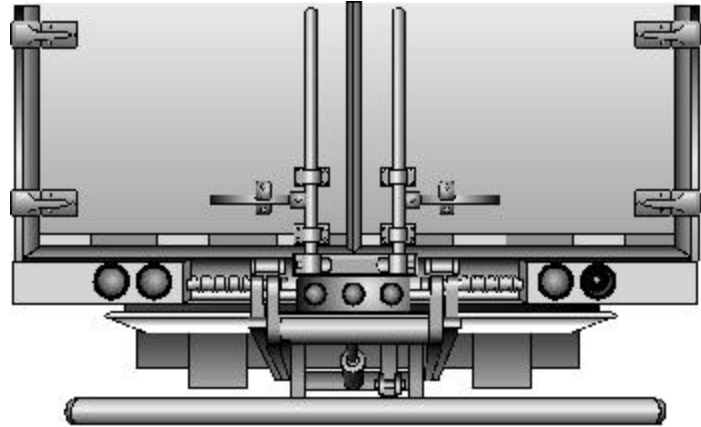
Optional Features

- Maintenance Minder²™ Power Unit
- Emergency hand pump
- Hand held remote control
- Quick mount kit
- Rear bumper D.O.T. approved
- Circuit breaker for pump motor
- Safety cut-off switch
- Heavy duty steps

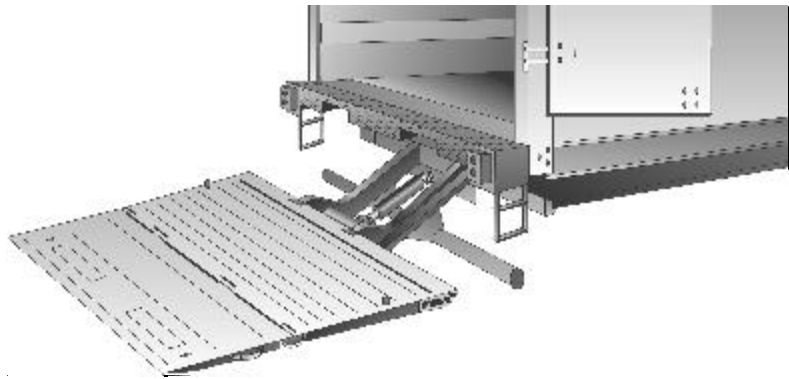
Standard Specifications

Capacity:	2500 and 3500 lbs.
Weight: (approx.)	770 - 795 lbs.
Platform Size:	80" wide x 61" deep 86" wide x 61" deep (option)
Floor Heights:	46" - 59"

HIDE-A-WAY™



Over the Road Position



Extension Plate Added to Rear of Vehicle

LEYMAN **LIFT GATES**

10900 Kenwood Road • Cincinnati, OH 45242

Phone: 513.891.6210 • Fax: 513.891.4901

www.leymanlift.com

sales@leymanlift.com

LML00198-12/06