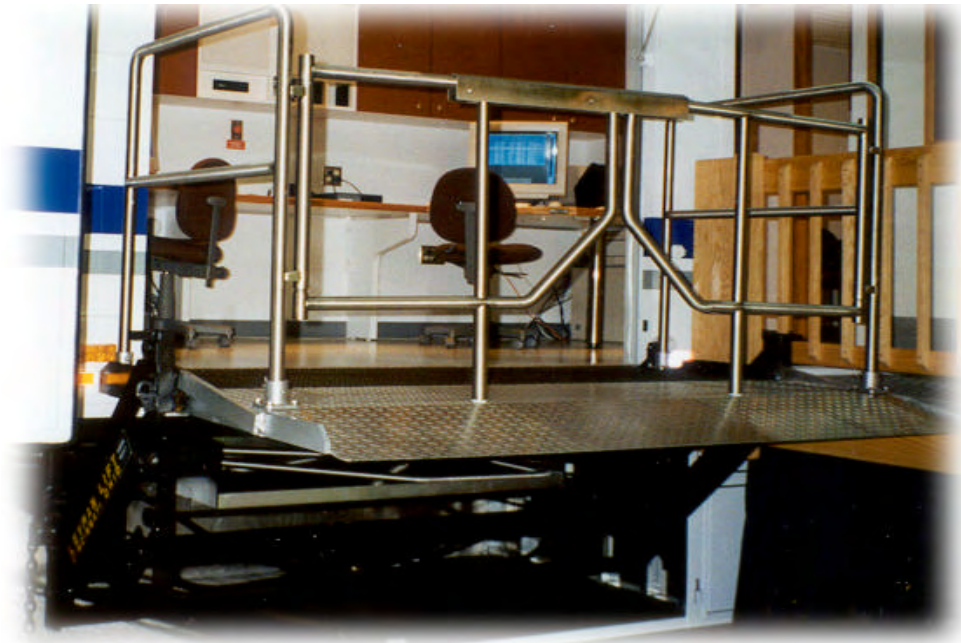




Owner's Manual

PLG 1000 Hide-A-Way®

DOT – Private Use Lift



LEYMAN MANUFACTURING CORPORATION
10900 Kenwood Road
Cincinnati, OH 45242
1-866-LEYMAN-1 • 1-866-539-6261 • 513-891-6210
Fax 513-891-4901
www.leymanlift.com
sales@leymanlift.com

LML00189-12/06/11

TABLE OF CONTENTS

General Specifications	2
Operating Instructions	3 - 4
Emergency Hand Pump Operation	5
Recommended Oils and Lubrication	6
Troubleshooting Guide	7
Electrics	8A – 8B
Interlock Switch Wiring	9A – 9B
Power Unit	10A – 10B
Emergency Hand Pump	11
Gate Assembly	12A – 12B
Preventative Maintenance	13
Decal Placement	14
Notes	15

GENERAL SPECIFICATIONS

CUSTOMER:	<u>Medical Coaches</u>
MODEL:	<u>PLG 1000 – 8445RRCS</u>
RATED LOAD:	<u>1000 lbs.</u>
TYPE:	<u>DOT - Private Use Lift</u>
PLATFORM OPERATING DIMENSIONS:	73.75" wide x 36" deep
UNOBSTRUCTED PLATFORM OPERATING VOLUME:	73.75" x 36" x 30" = 46.1 cu. ft.
OVERALL PLATFORM DIMENSIONS:	84" wide x 45" deep + 21" flip ramp
HYDRAULIC PRESSURE:	2000 PSI – Provided by trailer Hydraulic power unit
OPERATION:	Power up/gravity down Power stow/deploy
SERIAL #:	

NOTE: "DOT Private Use Lift" verifies that this platform lift meets only the "Private Use Lift" requirements of FMVSS No. 403. This lift may be installed on all vehicles appropriate for the size and weight of the lift, except for buses, school buses, and multi-purpose passenger vehicles other than motor homes with a gross weight rating (GVWR) that exceeds (4,536 kg) 10,000 lbs.

OPERATING INSTRUCTIONS

OPERATING INSTRUCTIONS

CAUTION

BEFORE OPERATING THE LIFT, READ AND UNDERSTAND THIS DECAL, URGENT WARNING DECAL, AND OWNER'S MANUAL.

DOT - PRIVATE USE LIFT

OPERATING FROM THE STOWED POSITION:

- 1) TO RELIEVE TENSION ON THE SAFETY CHAINS, PUSH THE UP SWITCH. GATE WILL GO UP.
- 2) REMOVE SAFETY CHAINS FROM HOOKS ON BOTH SIDES.
- 3) USE DOWN SWITCH TO LOWER LIFT UNTIL ARMS ARE PARALLEL TO THE GROUND.
- 4) STAND TO THE SIDE OF LIFT GATE. PUSH THE DEPLOY SWITCH DOWN. GATE WILL COME OUT. RUN UNTIL FULLY EXTENDED.
- 5) LOWER PLATFORM TO GROUND BY PRESSING DOWN SWITCH. UNFOLD SECONDARY PLATFORM AND RAMP.
- 6) ASSEMBLE HANDRAILS AND CLOSE WHEELCHAIR RETENTION DEVICE.
TO RAISE PLATFORM, USE THE UP SWITCH ONLY.
TO LOWER PLATFORM, USE THE DOWN SWITCH ONLY.
UP / DOWN SWITCH IS DISABLED UNLESS WHEELCHAIR RETENTION DEVICE IS CLOSED.
STOW / DEPLOY SWITCH IS DISABLED UNLESS SECONDARY PLATFORM AND RAMP ARE FOLDED.

TO STORE GATE IN THE OVER THE ROAD POSITION:

- 1) LOWER PLATFORM TO GROUND AND REMOVE HANDRAILS.
- 2) FOLD AND LATCH RAMP, THEN FOLD SECONDARY PLATFORM.
- 3) RAISE PLATFORM OFF GROUND UNTIL ARMS ARE PARALLEL TO GROUND. USE UP SWITCH.
- 4) STAND TO THE SIDE OF LIFT GATE. PRESS STOW SWITCH UP. RUN GATE ALL THE WAY UNDER TRAILER UNTIL LIFT STOPS.
- 5) RUN GATE UP USING UP SWITCH.
- 6) HOOK BOTH SAFETY CHAINS IN HOOKS ON EACH SIDE OF LIFT.
- 7) LOWER GATE UNTIL CHAINS ARE TIGHT. USE DOWN SWITCH.

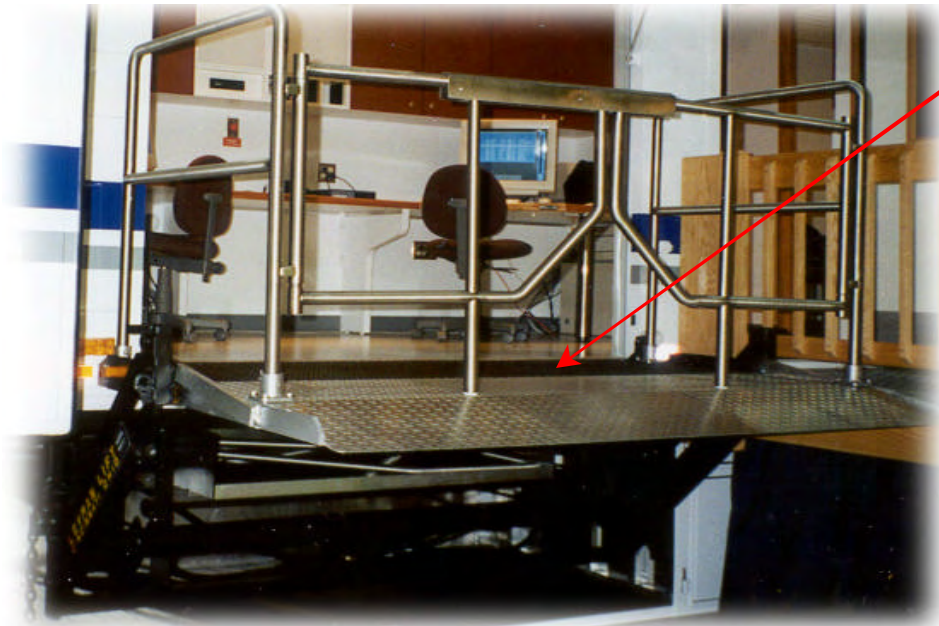
LEYMAN MANUFACTURING CORPORATION

CINCINNATI, OH 45242
PHONE: (513) 891-6210

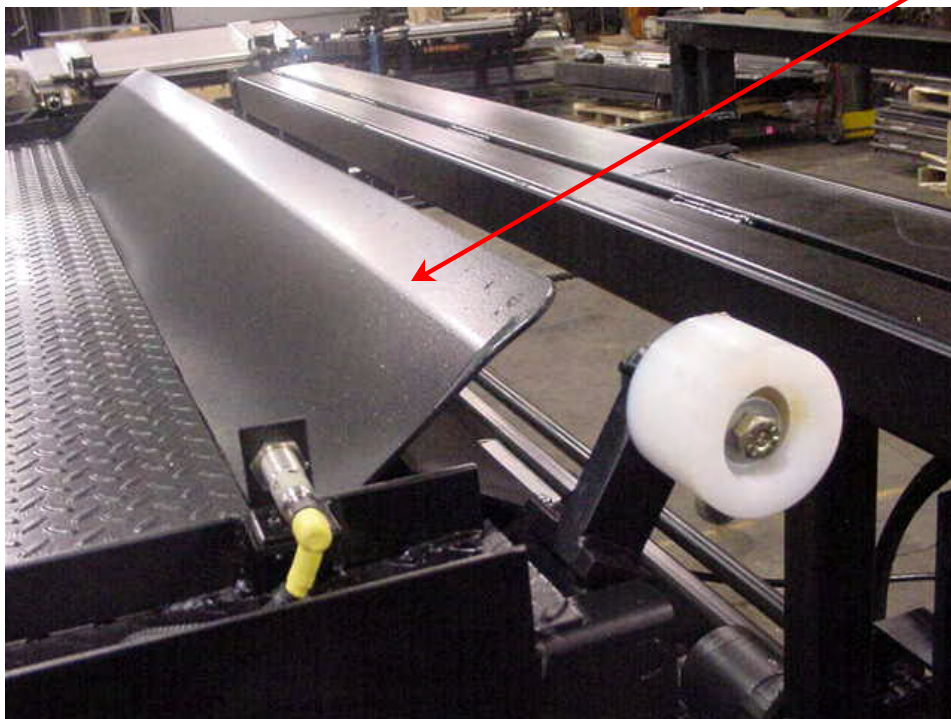
P65350

OPERATING INSTRUCTIONS (Cont.)

NOTE: This patient lift gate does have an Inner Roll Stop. Therefore when loading a wheelchair at ground level, the wheelchair may be loaded in the forward direction.



INNER
ROLL
STOP



INNER
ROLL
STOP

OPERATING THE EMERGENCY HAND PUMP

MANUAL BACKUP OPERATION (EMERGENCY HAND PUMP)

CAUTION

BEFORE OPERATING THE LIFT, READ AND UNDERSTAND THIS DECAL, URGENT WARNING DECAL, AND OWNER'S MANUAL.

DOT - PRIVATE USE LIFT

OPERATING FROM THE DEPLOYED POSITION:

- 1) LOCATE HAND PUMP HANDLE AND REMOVE FROM CLIPS.
- 2) BEFORE MOVING PLATFORM UP OR DOWN, MAKE CERTAIN WHEELCHAIR RETENTION DEVICE (HAND RAILS) ARE IN PLACE AND CLOSED. INNER ROLL STOP WILL DEPLOY AUTOMATICALLY.
- 3) TO RAISE PLATFORM, USE END OF HANDLE TO CLOSE VALVE AT BASE OF HAND PUMP. TURN CLOCKWISE TO CLOSE. THEN INSERT HANDLE INTO HAND PUMP AND STROKE.
- 4) TO LOWER PLATFORM, USE END OF HANDLE TO OPEN VALVE AT BASE OF HAND PUMP. TURN COUNTER-CLOCKWISE TO OPEN. PLATFORM WILL LOWER.

EMERGENCY HAND PUMP CANNOT BE USED TO STOW / DEPLOY LIFT GATE.

LEYMAN MANUFACTURING CORPORATION

CINCINNATI, OH 45242
PHONE: (513) 891-6210

P55352

RECOMMENDED HYDRAULIC OILS/LUBRICATION

HYD. OILS:

This lift gate uses the vehicle hydraulic power unit as the source for fluid power. Follow the hydraulic oil recommendations given in the vehicle instruction manual.

LUBRICATION:

ROLLER CHAIN for POWER IN / OUT

Lightly brush SAE 30 oil on carbon steel chain. PLG gates manufactured after June, 2009 have stainless steel roller chain, which requires NO lubrication.

CAM ROLLERS

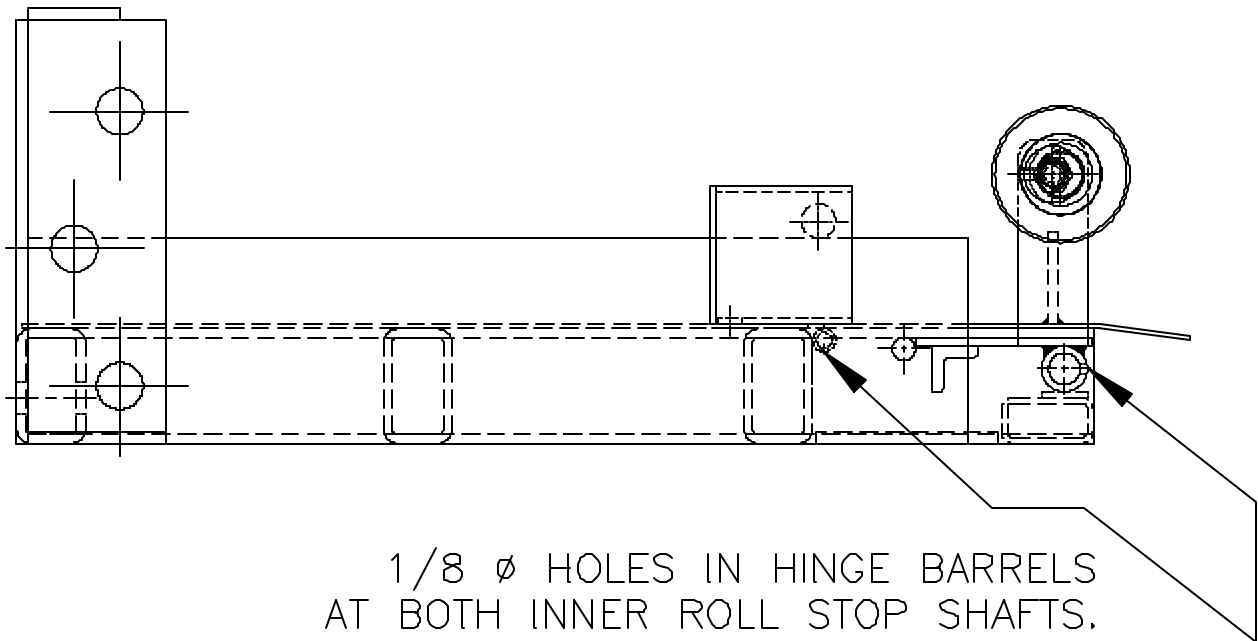
Four (4) located on Inner Slide. If roller studs have grease fittings, lubricate using a lithium base grease. Note – some Cam Rollers are permanently greased and have no grease fitting.

LIFTING ARM PIVOT POINTS

Use a lithium base grease at all grease fittings.

INNER ROLL STOP SHAFTS

Apply grease at the 1/8" lubrication holes in all Hinge Barrels for BOTH Inner Roll Stop Shafts. See sketch below for locations. Use Needle Nozzle Adapter (Grainger # 6Y900) in grease gun.

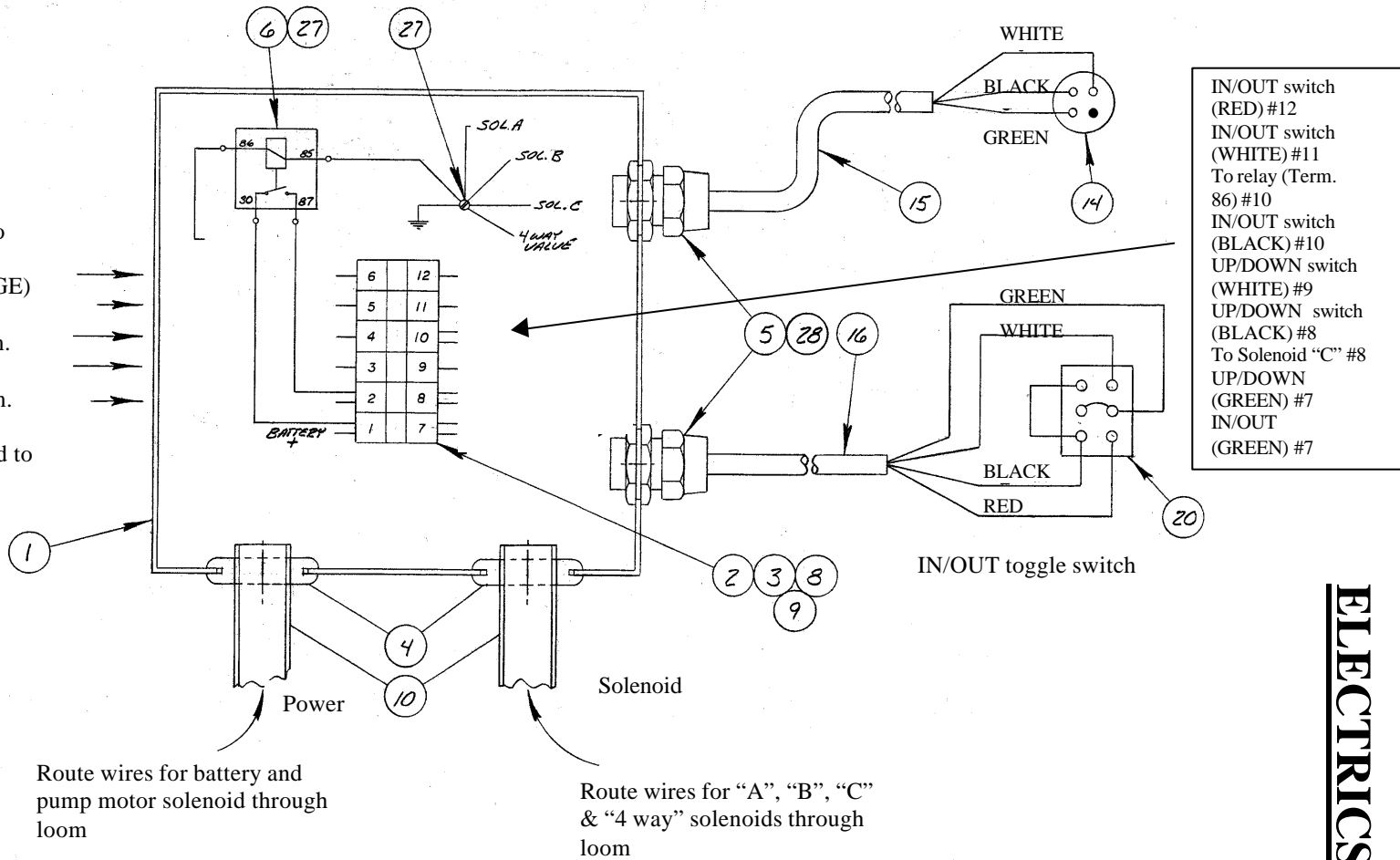


1/8" \varnothing HOLES IN HINGE BARRELS
AT BOTH INNER ROLL STOP SHAFTS.
USE NEEDLE NOZZLE ADAPTER
(GRAINGER # 6Y900).

TROUBLESHOOTING CHART

PROBLEM	PROBABLE CAUSE	REMEDY
Vehicle power unit runs, but platform will not go UP or go IN / OUT	1. "C" valve is not activating.	1. Check for power at "C" valve coil. Check for defective "C" coil.
Platform will not go DOWN. All other functions work.	1. "A" valve is not activating.	1. Check for power at "A" valve coil. Check for defective "A" coil.
Platform only goes UP/ DOWN, will not go IN / OUT	1. Secondary platform is not folded, so limit switch is preventing IN / OUT movement, as it should. 2. "B" valve is not activating. 3. Limit switch between primary and secondary platform is not functioning properly.	1. Fold secondary platform. 2. Check for power at "B" valve coil. Check for defective "B" coil. 3. Check for power at GREEN wire on terminal strip on box lid that goes to IN / OUT switch.
Platform will not go UP/ DOWN	1. Handrail is open or object is resting near Inner Roll Stop, preventing UP / DOWN movement, as it should. 2. Handrail gate switch not functional. 3. Inner Roll Stop photo-sensor not functioning.	1. Close handrail or remove object from Inner Roll Stop. 2. ONLY AS A TEST, connect a jumper wire on terminal strip on box lid as shown on p. 9A. If this solves problem, fix handrail switch. 3. Check sensor alignment and positioning. Check for power at terminal 86 on relay with no object near Inner Roll Stop.
Oil build-up in cylinder vent line collection tank. Platform may bleed down.	1. One or both cylinders have an internal leak at the piston seal.	1. Repair or replace cylinder.

- 4 way valve (RED) to Term. Strip #6
- 4 way valve (ORANGE) to Term. Strip #5
- Solenoid "B" to Term. Strip #4
- Solenoid "A" to Term. Strip #3
- Pump Motor Solenoid to Term. Strip #2

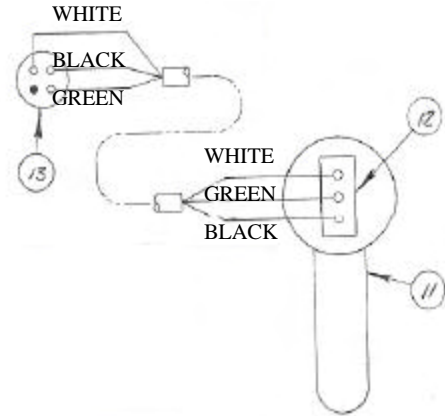


Route wires for battery and pump motor solenoid through loom

Route wires for "A", "B", "C" & "4 way" solenoids through loom

- IN/OUT switch (RED) #12
- IN/OUT switch (WHITE) #11
- To relay (Term. 86) #10
- IN/OUT switch (BLACK) #10
- UP/DOWN switch (WHITE) #9
- UP/DOWN switch (BLACK) #8
- To Solenoid "C" #8
- UP/DOWN (GREEN) #7
- IN/OUT (GREEN) #7

ELECTRICS



UP/DOWN
TOGGLE SWITCH

Valve Functions:

Valve "A": Controls the down function. If it fails, the platform will not lower.

Valve "B": Controls switching between the up/down function and the in/out function. If it fails, the platform will still go up/down but will not go in or out.

Valve "C": Controls the supply pressure to all gate operations. If it fails, the valving remains in a bypass mode and all gate functions are lost except the down function if the platform is in the up position.

27	2	P17518	Self tapping screw			
26	6	P46300	Shrink tube		4" each	24" total
25	1	P46214	Orange wire	16 ga.	36"	
24	1	P46019	Red wire	16 ga.	36"	
23	4	P46471	Blue wire	16 ga.	36", 4 pcs.	
22	1	P46018	White wire	16 ga.	36"	
21	2	P46017	Black wire	16 ga.	36" each	
20	1	AA-551-327	Toggle switch assembly			For in/out
19	1	AP-551-016	Switch bracket			
18	2	P46444	Fork terminal			
17	7	P46319	Fork terminal			
16	1	P46314	Jacketed wire	16-4	15 ft. (180")	
15	1	P46186	Jacketed wire	16-3	21 ft. (252")	
14	1	P46329	Plug conn. female			
13			Plug conn. male		Included in item 11	Ref. P46328
12			Toggle switch		Included in item 11	Ref. AA-551-326
11	1	AA-551-210	Pistol grip walk around		Includes switch & plug	Includes coil cord
10	2	P46485	½ split nylon loom		1 pc.-24", 1 pc.-48" loose	
9	2	P23504	Lock nut			
8	2	P19501	Screw			
7	4	P46318	Female connect term.			
6	1	P46487	Relay			
5	2	P46139	Cord grip			
4	2	P25054	Rubber grommet			
3	2	P46382	Term. Block			
2	1	P46395	End-Term. strip			
1	1	P46486	Elect. Box		6 x 6 x 4	
Index No.	Reqd	Part Number	Part Name	Material	Material Size	Remarks/Wgt.
			Assy. CA-551-196		Model: Med Coach	

Leyman Manufacturing Corporation

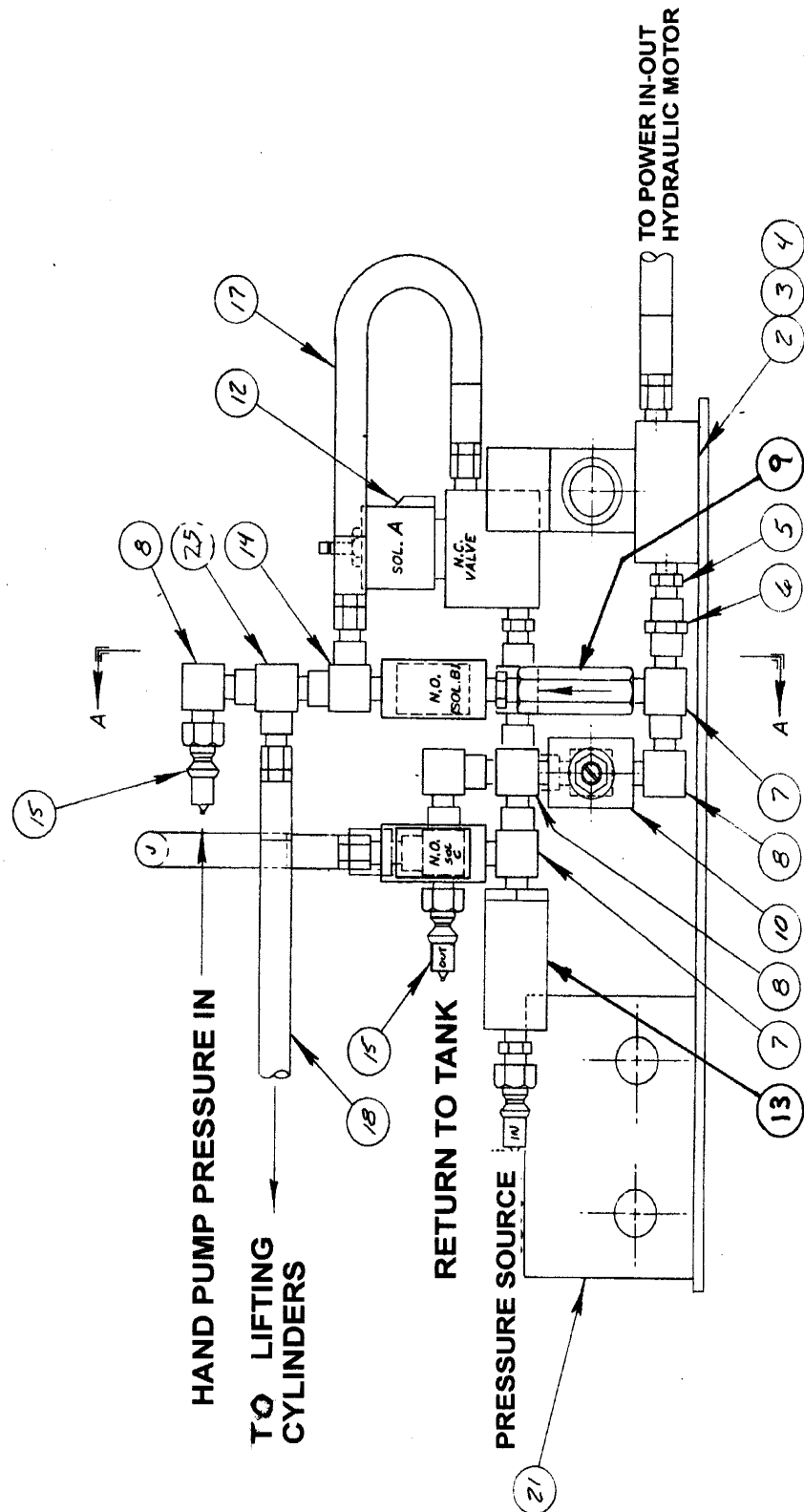
INTERLOCK SWITCH ELECTRICS

34	27	P17518	SELF TAPPING SCREW		NOT SHOWN
33	23	P46251	LOOM CLAMP 3/4		NOT SHOWN
32	4	P46450	LOOM CLAMP 3/8		NOT SHOWN
31	1	P46018	WIRE - 16 GA. WHITE		1 PC 8" - 1 PC. 12" (GRD)
30	5	P46319	SM. FORK TERMINAL		NOT SHOWN
29	5	P46476	FORK TERMINAL		NOT SHOWN
28	1	P46507	RING TERMINAL		NOT SHOWN
27	4	P46318	FEMALE SPADE CONNECTOR		1/4" - NOT SHOWN
26	3	P46156	BUTT CONNECTOR		
25	1	P46496	SPLIT LOOM 1/4"		60" LG.
24	1	P46186	16-3 SOW CABLE		360" LG.
23	5	P46139	CORD GRIP		
22	2	P25176	GROMMET		7/16 ID X 15/16 OD (11/16 HOLE)
21	1	P25136	GROMMET		7/8 ID X 1-5/8 OD (1-1/4 HOLE)
20	1	P46485	SPLIT LOOM 1/2"		{1} 360" - {1} 240"
19	1	P46314	16-4 SOW CABLE		240" LG.
18	1	P46030	JUNCTION BOX COVER		
17	1	P46029	JUNCTION BOX 4"		
16	1	P23504	LOCK NUT		10-24
15	1	P19501	RND HD SCREW		10-24 X 1/2
14	1	P46487	RELAY		
13	2	P23535	LOCK NUT		6-32
12	2	P19519	RND HD SCREW		6-32 X 3/4
11	1	P46474	TERMINAL STRIP		
10	4	P23504	LOCK NUT		10-24
9	4	P26007	FLAT WASHER		1/4
8	4	P18519	FLAT HD SCR.		10-24 X 1
7	2	AP-999-137	HOOK MTG. PLATE		
6	2	S559-001.500	ANGLE BASE	ST ANGLE	1-1/2 X 1-1/2 X 3/16 X 1-1/2
5	1	S008-006.375	MDUNTING PLATE	HR FLAT	1/8 X 2 X 6-3/8 LG.
4	1	P14518	SET SCREW HEX SOC.		8-32 X 1/8 LG.
3	1	AP-551-393	EXTENSION TUBE		
2	1	P46626	PHOTOELECTRIC SWITCH		INCLUDES BOTH EMITTER & RECEIVER
1	1	P46625	LIMIT SWITCH - DPDT		
INDEX	REQD.	PART NO.	PART NAME	MATL.	MATERIAL SIZE REMARKS WGT.

LEYMAN MANUFACTURING CORPORATION

TOLERANCE FRACTIONS ± 1/32 DECIMAL ± .005 DR HOLE ± .003-000 ANGLE ± 1/2° UNLESS OTHERWISE NOTED	DRAWN	RJM 12/3/04	PART NAME	MODEL PLG1000 MED CDACH
	CHECK		INTERLOCK SWITCH ELECTRICS	ASSY.
	APPR.		TOTAL WEIGHT	SCALE NONE
			CA-551-392	

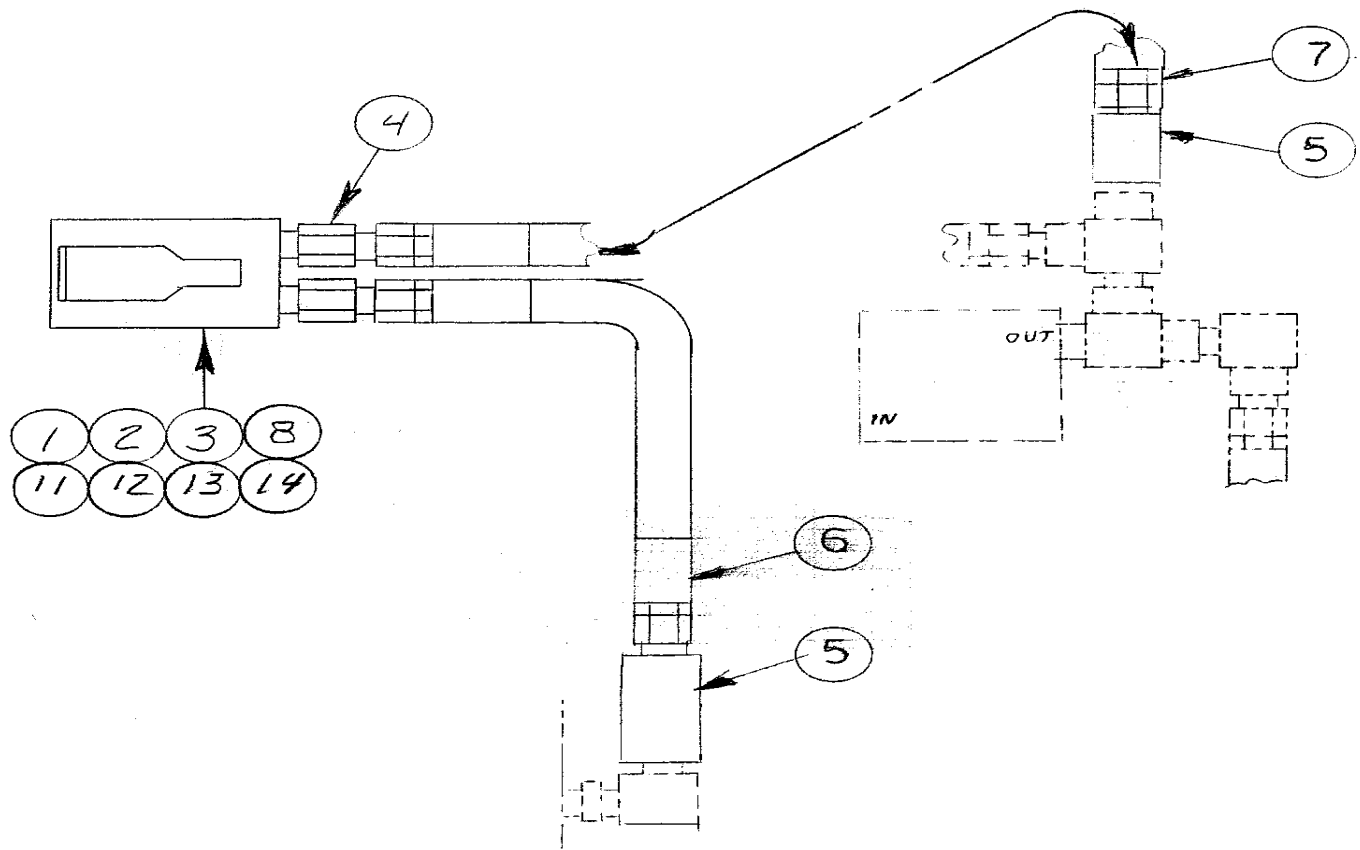
POWER UNIT



POWER UNIT

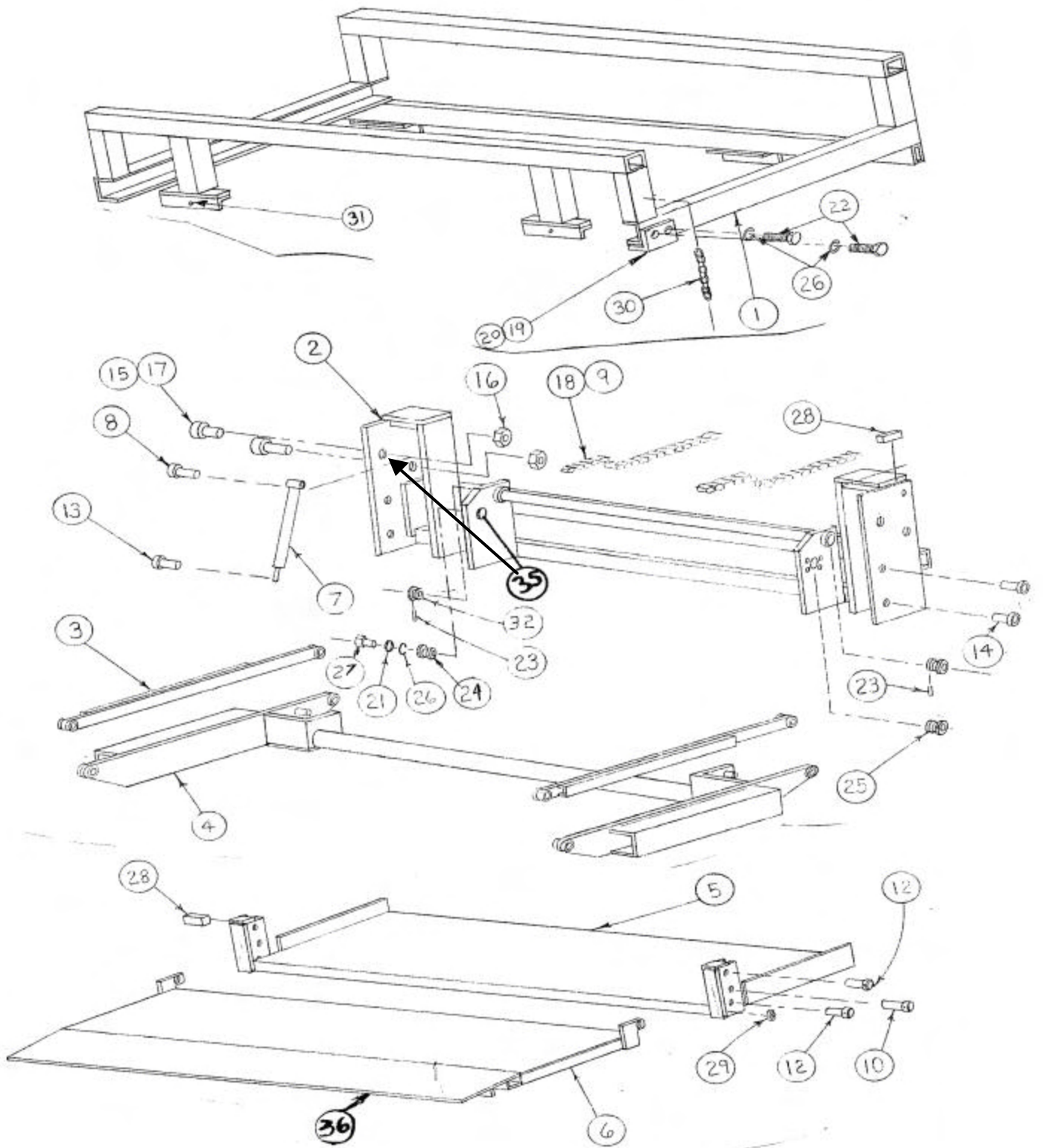
25	1	P33199	TEE F-M-F			
24	3	AT-501-101-012	Hydraulic line assembly		12 ft.	
23	8	P46156	Butt Connector			
22	1	BA-501-158	Hand pump assembly			Loose
21	1	CA-551-196	Electrics			
20	1	P33006	Street elbow			
19	1	AT-501-101-018	Hydraulic line assembly		18 ft.	
18	1	AT-501-101-015	Hydraulic line assembly		15 ft.	
17	3	AT-501-100-018	Hydraulic line assembly		18 in.	
16	5	P33169	Quick disconnect socket			On end of hoses
15	4	P33168	Quick disconnect plug			1 loose
14	5	P33216	Street tee			
13	1	P33616	Inline filter			
12	1	P33650	Drain valve N.C.			
11	2	P33719	Drain valve N.O.			
10	1	P33147	Relief valve			
9	1	P33506	Check valve			
8	4	P33217	Male elbow			
7	2	P33199	Male street tee			
6	1	P33190	Coupler			
5	4	P33064	Nipple			
4	1	P33207	Bolt kit			
3	1	P33206	Valve sub plate			
2	1	P33205	4 way valve			
1	1	BP-501-229	Mtg. plate			
Index	Reqd	Part number	Part name	Material	Material size	Engineering remarks
No.					Part name	Model: MED COACH
					Power unit	Assembly
						Sub. Assembly
					Scale: Approx. 1/2	Dwg. DA-501-221
LEYMAN MANUFACTURING CORPORATION						

EMERGENCY HAND PUMP



14	2	P23502	Nut		¼ - 20		
13	2	P26007	Flat Washer		¼		
12	2	P15540	Soc Head Cap Scr				
11	1	AP-501-267	Mtg. bracket				
10	4	P46250	Loom clamp				
9	4	P17518	Self tapping screw				
8	2	P23510	Nut		5/16 - 18		
7	2	AT-501-100-060	Hyd. Line Assembly				
6							
5	2	P33169	Quick disconnect		Socket		
4	2	P33101	Adapter				
3	2	P26506	Flat Washer		5/16		
2	2	P10040	Bolt		5/16 x 1		
1	1	P33902	Hand Pump				
Index No.	Reqd	Part No.	Part Name	Material	Material Size	Remarks	Wgt.
Leyman Manufacturing Corporation							
Part Name: Hand Pump Kit							Assembly: BA-501-158

PLG GATE ASSEMBLY



PLG GATE ASSEMBLY PARTS LIST

INDEX#	# REQD.	PART #	PART NAME
1	1	A5102-4C	OUTER SLIDE
2	1	A5102-3C	INNER SLIDE
3	1	5100-0B1 (RIGHT HAND)	TENSION ARM
3	1	5100-0B2 (LEFT HAND)	TENSION ARM
4	1	A5102-2C	COMPRESSION ARM
5	1	CA-707-152	PLATFORM INNER
6	1	DA-707-153	ALUM. RAMP
7	1	AL5006-D	HYDRAULIC CIRCUIT
8	2	Q5001-0A8	PIVOT PIN
9	2	P38500	CHAIN #50 X 51 ½"
10	2	Q5001-0A14	PIVOT PIN
11			ELECTRICS
12	4	Q5001-0A3	PIVOT PIN
13	2	Q5001-0A6	PIVOT PIN
14	4	Q5001-0A18	PIVOT PIN
15	4	P37550	ROLLER, GREASELESS
16	4	P23523	HEX NUT
17	4	P32015	GREASE FITTING, IF REQUIRED
18	4	P38501	CONNECTING LINK
19	2	A5002-2A	FRONT STOP
20	2	F5002-2A	SPACER
21	4	P26501	WASHER
22	4	P10505	HEX HEAD CAP SCREW
23	2	P47500	ROLL PIN
24	1	A5008-3A	IDLER SPROCKET
25	1	P25157	DRIVE SPROCKET
26	4	P26014	LOCK WASHER
27	2	P10501	HEX HEAD CAP SCREW 3/8 X 16 X 1"
28	8	S270-001.500	STOP
29	2	5014-A	SAFETY SNAP HOOK
30	2	P38515	CHAIN – 3/8" X 9 LINKS
31	4	C5102-33A	CHAIN MOUNT
32	2	P25157	SHAFT SPROCKET
33	1	BA-501-005	ROD LUBE KIT
34	1	CA-201-055	LOCK
35	2	BP-707-125	ROLLER ADJ. CAM
36	1	BA-707-159	RETENTION RAMP

PREVENTATIVE MAINTENANCE

PLG1000 Maintenance Maintenance by Cycles

CUSTOMER:		
LOCATION:		
VEHICLE#:	LIFT GATE MODEL#:	LIFT GATE SERIAL#:

√ = OK

A = ADJUSTED

N = NOT APPLICABLE

X = WRITE UP REPAIR

2,000	4,000	8,000	MOTOR - PUMP COMPONENTS
			Check battery(ies) for proper charge level. PROPER CHARGE LEVEL:
			Check all wiring connections for corrosion and tightness (batteries, switches, etc.)
			Check solenoids for loose fittings and operation
			Check rod lube vet line reservoir. Excessive oil means piston seal problem
			Inspect and check all circuit breakers. Replace if necessary
			Check the charge line/power line for proper operation and connections at both ends
			Remove and clean all pump solenoids cartridges
2,000	4,000	8,000	LUBRICATION
			Lightly lubricate platform and ramp hinges
			Lightly lubricate in & out chain with dry lubricant . Not with corrosive lubricates WD40, etc.
			Lubricate bushing on tension and compression arms
			Clean and lubricate chain sprockets
			Lubricate rollers, if grease fitting provided
2,000	4,000	8,000	LIFT GATE STRUCTURE INSPECTION
			Operate lift gate in-out. Observe for correct operation, including safety inter locks
			Raise and lower lift gate. Observe for correct operation, including safety inter lock
			Check Hoses and Fittings for chaffing, rubbing, and leaks
			Check emergency Hand Pump for proper operation
			Check and adjust in-out chain (should only have 1/2" play)
			Check roller track for damage. Repair as necessary
			Check up and down cylinders for leaks. Repack or replace cylinders
			Inspect for broken and/or missing roll pins
			Inspect rollers. Replace if necessary
			Inspect for worn bushings in compression and tension arms. Replace if necessary
			Steam clean gate. Repair any structural welds as needed
			Repaint where needed and replace any worn or missing safety decals

SERVICED BY: _____

DATE: _____

INSTALLATION OF SAFETY DECALS

DECAL LOCATION	DECAL NUMBER	DESCRIPTION
Near UP / DOWN switch storage box	P55157 P55350 P55294 P55302	Safety Decal 4-1/2" x 4-7/8" Operating Instructions Safety Decal 7" x 7" Max. Capacity Decal 1000 lbs.
On UP / DOWN switch pistol grip	P55353	UP / DOWN Decal
On STOW / DEPLOY toggle switch	P55351	STOW / DEPLOY Decal
Near Lift Gate power switch	P55157	Safety Decal 4-1/2" x 4-7/8"
Just below door threshold	P55138	Safety Decal 2" x 26" horizontal
Near hand pump	P55352	Hand Pump Operating Instructions

